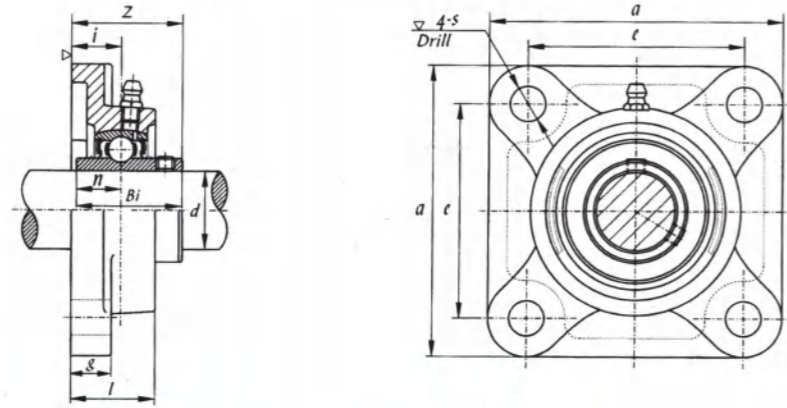


方形座
Flange Units(Square)

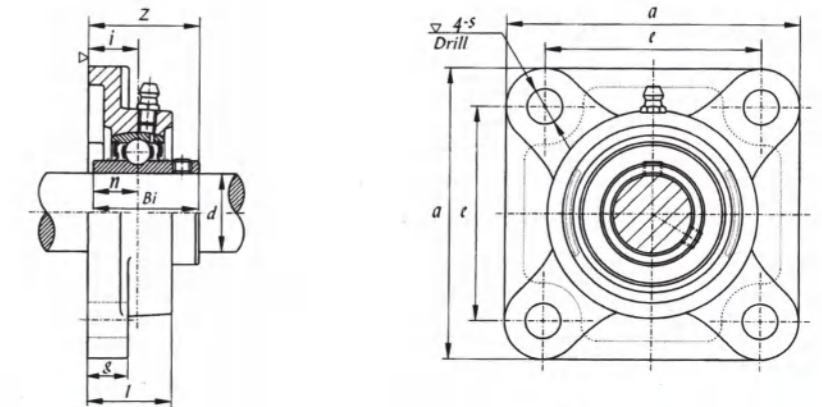
UCF 200 (normal-duty)



带座轴承代号 Bearing Unit No.	轴径 Shaft Dia.		外形尺寸(毫米) Dimensions (mm)									螺栓 Bolt Used		Bearing No.	Housing No.	重量 Weight (kg)
	(in.)	(mm)	a	e	i	g	l	s	Z	Bi	n	(mm)	(in.)			
UCF201 201-8	1/2	12	86	64	15	12	25.5	12	33.3	31	12.7	M10	3/8	UC201 201-8	F201	0.59
UCF202 202-10	5/8	15	86	64	15	12	25.5	12	33.3	31	12.7	M10	3/8	UC202 202-10	F202	0.57
UCF203 203-11	11/16	17	86	64	15	12	25.5	12	33.3	31	12.7	M10	3/8	UC203 203-11	F203	0.56
UCF204-12 204	3/4	20	86	64	15	12	25.5	12	33.3	31	12.7	M10	3/8	UC204-12 204	F204	0.54
UCF205-14 205-15 205	7/8 15/16	25	95	70	16	14	27	12	35.8	34.1	14.3	M10	3/8	UC205-14 205-15 205	F205	0.66
UCF206-18 206	1 1/8	30	108	83	18	14	31	12	40.2	38.1	15.9	M10	3/8	UC206-18 206	F206	0.93
UCF206-19 206-20	1 3/16 1 1/4	30	108	83	18	14	31	12	40.2	38.1	15.9	M10	3/8	UC206-19 206-20	F206	0.93
UCF207-20 207-21 207-22 207	1 1/4 1 5/16 1 3/8	35	117	92	19	16	34	14	44.4	42.9	17.5	M12	7/16	UC207-20 207-21 207-22 207	F207	1.2
UCF207-23	1 7/16	35	117	92	19	16	34	14	44.4	42.9	17.5	M12	7/16	UC207-23	F207	1.2
UCF208-24 208-25 208	1 1/2 1 9/16	40	130	102	21	16	36	16	51.2	49.2	19.0	M14	1/2	UC208-24 208-25 208	F208	1.57
UCF209-26 209-27 209-28 209	1 5/8 1 11/16 1 3/4	45	137	105	22	18	38	16	52.2	49.2	19.0	M14	1/2	UC209-26 209-27 209-28 209	F209	1.76
UCF210-30 210-31 210	1 7/8 1 15/16	50	143	111	22	18	40	16	54.6	51.6	19.0	M14	1/2	UC210-30 210-31 210	F210	2.05
UCF210-32	2	50	143	111	22	18	40	16	54.6	51.6	19.0	M14	1/2	UC210-32	F210	2.05
UCF211-32 211-34 211	2 2 1/8	55	162	130	25	20	43	19	58.4	55.6	22.2	M16	5/8	UC211-32 211-34 211	F211	2.96
UCF211-35	2 3/16	55	162	130	25	20	43	19	58.4	55.6	22.2	M16	5/8	UC211-35	F211	2.96
UCF212-32 212	2 1/4	60	175	143	29	20	48	19	68.7	65.1	25.4	M16	5/8	UC212-32 212	F212	3.54
UCF212-38 212-39	2 3/8 2 7/16	60	175	143	29	20	48	19	68.7	65.1	25.4	M16	5/8	UC212-38 212-39	F212	3.54
UCF213-40 213	2 1/2	65	187	149	30	20	50	19	69.7	65.1	25.4	M16	5/8	UC213-40 213	F213	4.92
UCF214-44 214	2 3/4	70	193	152	31	24	54	19	75.4	74.6	30.2	M16	5/8	UC214-44 214	F214	5.09
UCF215 215-47 215-48	2 15/16 3	75	200	159	34	24	56	19	78.5	77.8	33.3	M16	5/8	UC215 215-47 215-48	F215	5.79
UCF216 216-50	3 1/8	80	208	165	34	22	56	23	78	83.3	33.3	M20	3/4	UC216 216-50	F216	6.91
UCF217-52 217	3 1/4	85	220	175	36	26	63	23	87.6	85.7	34.1	M20	3/4	UC217-52 217	F217	8.63
UCF218-56 218	3 1/2	90	235	187	40	26	68	23	96.3	96.0	39.7	M20	3/4	UC218-56 218	F218	9.5

方形座
Flange Units(Square)

UCFX00 (medium-duty)



带座轴承代号 Bearing Unit No.	轴径 Shaft Dia.		外形尺寸(毫米) Dimensions (mm)									螺栓 Bolt Used		Bearing No.	Housing No.	重量 Weight (kg)
	(in.)	(mm)	a	e	i	g	l	s	Z	Bi	n	(mm)	(in.)			
UCFX05 X05-16	1	25	108	83	18	13	30	12	40.2	38.1	15.9	M10	3/8	UCX05 X05-16	FX05	1.1
UCFX06 X06-19 X06-20	1 3/16 1 1/4	30	117	92	19	14	34	16	44.4	42.9	17.5	M14	1/2	UCX06 X06-19 X06-20	FX06	1.4
UCFX07-20 X07-22 X07	1 1/4 1 3/8	35	130	102	21	14	38	16	51.2	49.2	19.0	M14	1/2	UCX07-20 X07-22 X07	FX07	1.9
UCFX07-23	1 7/16	35	130	102	21	14	38	16	51.2	49.2	19.0	M14	1/2	UCX07-23	FX07	1.9
UCFX08-24 X08	1 1/2	40	137	105	22	14	40	19	52.2	49.2	19.0	M16	5/8	UCX08-24 X08	FX08	2.1
UCFX09-26 X09-27 X09-28 X09	1 5/8 1 11/16 1 3/4	45	143	111	23	14	40	19	55.6	51.6	19.0	M16	5/8	UCX09-26 X09-27 X09-28 X09	FX09	2.5
UCFX10-30 X10-31 X10	1 7/8 1 15/16	50	162	130	26	20	44	19	59.4	55.6	22.2	M16	5/8	UCX10-30 X10-31 X10	FX10	3.6
UCFX10-32	2	50	162	130	26	20	44	19	59.4	55.6	22.2	M16	5/8	UCX10-32	FX10	3.6
UCFX11 X11-34 X11-35 X11-36	2 1/8 2 3/16 2 1/4	55	175	143	29	20	49	19	68.7	65.1	25.4	M16	5/8	UCX11 X11-34 X11-35 X11-36	FX11	4.7
UCFX12-36 X12 X12-38 X12-39	2 1/4 2 3/8 2 7/16	60	187	149	34	21	59	19	73.7	65.1	25.4	M16	5/8	UCX12-36 X12 X12-38 X12-39	FX12	5.5
UCFX13-40 X13	2 1/2	65	187	149	34	21	59	19	78.4	74.6	30.2	M16	5/8	UCX13-40 X13	FX13	5.9
UCFX14-44 X14	2 3/4	70	197	152	37	24	60	23	81.5	77.8	33.3	M20	3/4	UCX14-44 X14	FX14	7.3
UCFX15 X15-47 X15-48	2 15/16 3	75	197	152	40	24	68	23	89.3	82.6	33.3	M20	3/4	UCX15 X15-47 X15-48	FX15	8.0
UCFX16 X16-50	3 1/8	80	214	171	40	24	70	23	91.6	85.7	34.1	M20	3/4	UCX16 X16-50	FX16	9.8
UCFX17 X17-52	3 1/4	85	214	171	40	24	70	23	96.3	96.0	39.7	M20	3/4	UCX17 X17-52	FX17	10.5
UCFX18-56 X18	3 1/2	90	214	171	45	24	76	23	106.1	104.0	42.9	M20	3/4	UCX18-56 X18	FX18	11.2
UCFX20 X20-64	4	100	268	211	59	31	97	31	127.3	117.5	49.2	M27	1	UCX20 X20-64	FX20	18.1